

HYDROTRONIC



GENERAL DATA

Applications

Electronic control system for surface and submersible pumps. Designed to allow the automatic operation of the pump and prevent it from dry-running.

Suitable for pumps with power up to 1.5 Hp with a flow rate up to 30 gpm.

The HYDROTRONIC has a manual and an automatic reset, a built-in non return valve.

It is easy to install and is supplied with power cable with plug and cable with socket for the connection to the pump.

TECHNICAL DATA

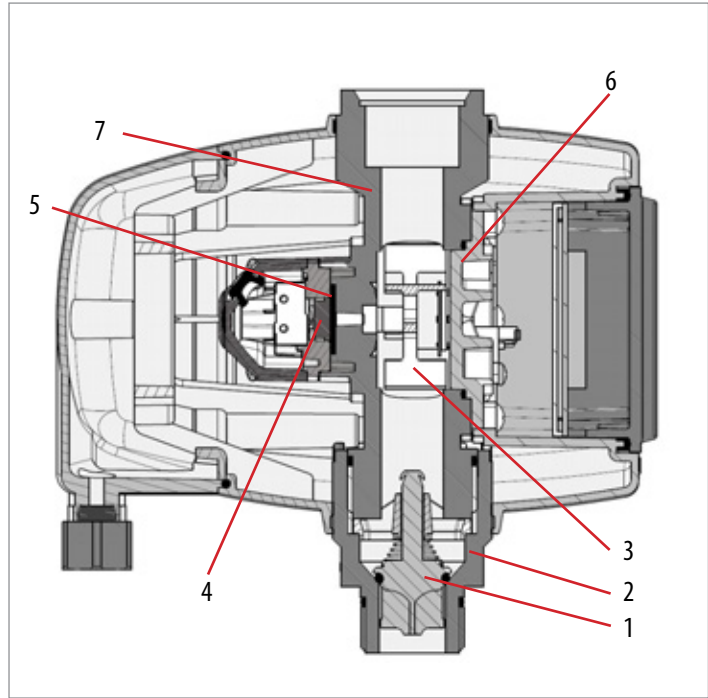
Operating Range:	HYDROTRONIC RED From 1 to 30 gpm with a start pressure of 23 psi HYDROTRONIC GREY From 1 to 30 gpm with a start pressure of 40 psi
Electrical Supply	115v 60Hz
Liquid quality requirements:	clean, free from solids or abrasive substances, non viscous, non aggressive, non crystallized, chemically neutral, close to the characteristics of water
Liquid temperature Range:	From 32°F to 104°F
Maximum ambient temp.	104°F
Maximum operating pressure	116 psi
Installation:	fixed in a vertical position
Special version on request	other voltages and/or frequencies

TECHNICAL DATA

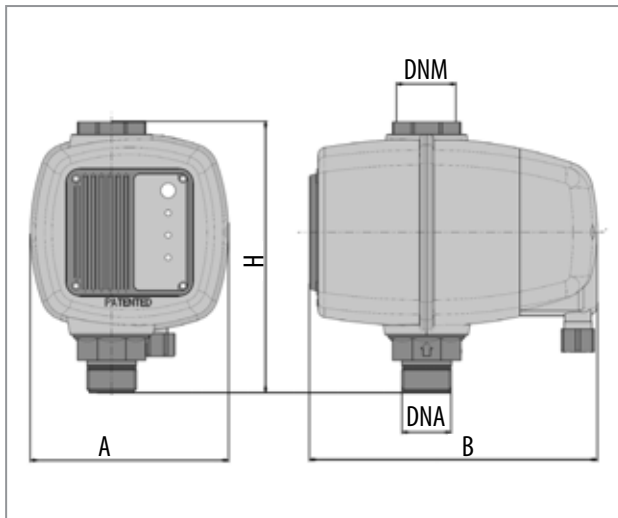
MATERIALS

N°	PARTS*	MATERIALS
1*	INLET CONNECTOR	TECHNOPOLYMER
2*	NON RETURN VALVE	TECHNOPOLYMER WITH NBR O RING & STAINLESS STEEL SPRING
3*	FLOW SENSOR	TECHNOPOLYMER
4	PRESSURE SENSOR	TECHNOPOLYMER
5*	PRESSURE SENSOR GASKET	NBR
6*	FLOW SENSOR COVER	TECHNOPOLYMER WITH NBR O RING
7*	DISCHARGE BODY BODY	TECHNOPOLYMER WITH CHROMED STEEL INSERT

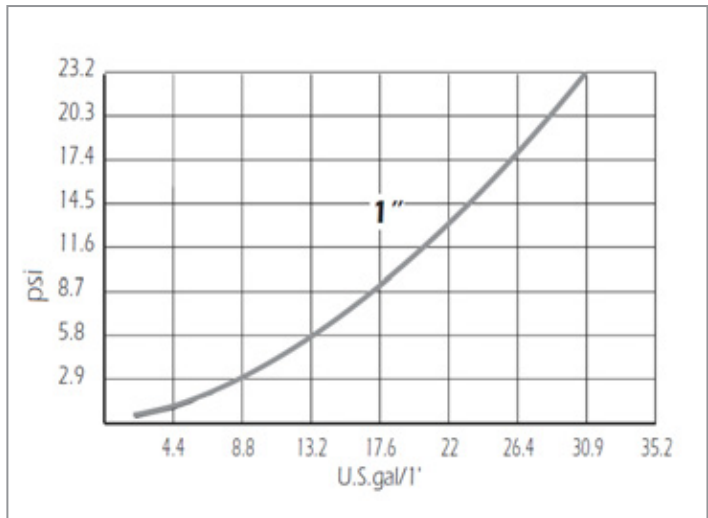
* In contact with liquid



DIMENSIONS



FRICITION LOSS



MODEL	A	B	H	DNA	DNM	Weight
HYDROTRONIC	5 1/4"	7 1/4"	7"	1" NPT	1 " NPT	2.6 lbs